



The direct control solenoid valves are particularly indicated for the assembling in any position thanks to their small dimensions. They are available in sizes M5, 1/8 and 1/4 in the functions 3/2 NC (norm.close) o NO, (norm. open).

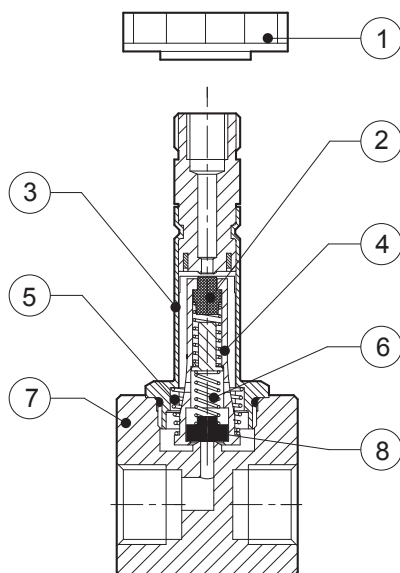
L'électrovalve à commande directe est particulièrement indiquée pour des montages quelque soit la position grâce à son faible encombrement. Elle est disponible dans les tailles M5-1/8-1/4 et la fonction en 3/2 normalement fermée ou normalement ouverte.

Gli elettropiloti a comando diretto sono particolarmente indicati per montaggio in qualsiasi posizione grazie alle dimensioni molto contenute. Sono disponibili nelle taglie M5, 1/8 e 1/4 nelle funzioni 3/2 NC (norm.chiuso) o NA (norm.aperto).

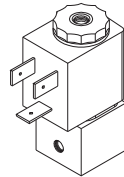
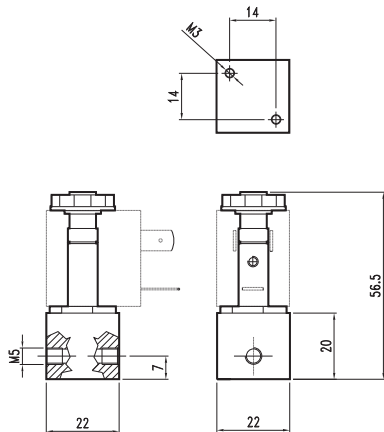
TECHNICAL DATA / DONNÉES TECHNIQUES / DATI TECNICI

Fluid / Fluide / Fluido	Lubricated or non lubricated air / Air lubrifié ou non / Aria con o senza lubrificazione
Type / Type / Tipo	3/2 NC NO / NF NO / NC NA
Max operating pressure / Pression max d'utilisation / Pressione massima di esercizio	10 bar
Max working temperature / Température max d'utilisation / Temperatura max di esercizio	-10°C / + 50°C
Flow rate to 6 bar and Δp 1 bar / Débit à 6 bar et Δp 1 bar / Portata a 6 bar e Δp 1 bar	M5: 40 NI/min - 1/8: 50NI/min - 1/4: 50NI/min
Nominal orifice / Diamètre nominal / Diametro nominale	1,5mm
Tension tolerance / Tolérance de tension / Tolleranza di tensione	-10% - + 15%
Response time / Temps de réponse / Tempo di risposta	10ms
Duty cycle / Temps d'enclenchement / Inserimento	ED 100%
Rated power consumption / Consommation / Consumo a regime	DC: 3W - AC: 5VA
Coils tension / Tension bobine / Tensione bobine	24VDC - 24VAC - 110VAC - 220VAC 50/60Hz
Protection / Protection / Protezione	IP 67

COMPONENTS / COMPOSANTS / COMPONENTI

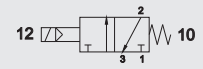


N.	DESCRIPTION / DESCRIPTION / DESCRIZIONE	MATERIAL / MATIÈRE / MATERIALE
1	nut / écrou / dado	plastic / plastique / plastica
2	seal / joint / guarnizione	NBR
3	body / corps / corpo	brass / laiton / ottone
4	mobile core / tiroir / nucleo mobile	brass / laiton / ottone
5	spring / ressort / molla	steel / acier / acciaio
6	spring / ressort / molla	steel / acier / acciaio
7	body valve / corps valve / corpo valvola	aluminium / aluminium / alluminio
8	seal / joint / guarnizione	NBR



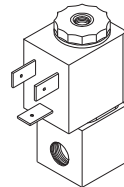
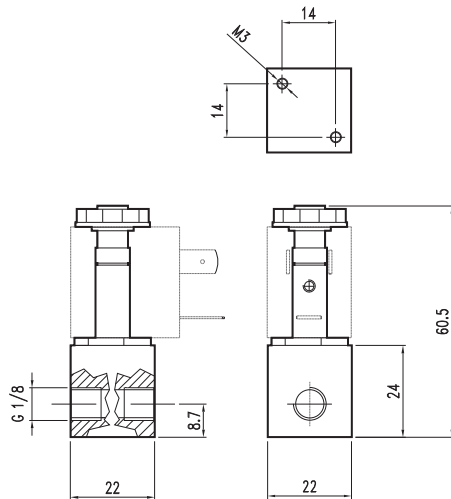
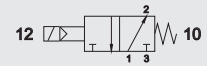
M5 3/2 NC Normally closed
M5 3/2 NF Normalement fermé
M5 3/2 NC Normalmente chiuso

CODE
VD3122



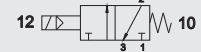
M5 3/2 NO Normally open
M5 3/2 NO Normalement ouvert
M5 3/2 NA Normalmente aperto

CODE
VD3121



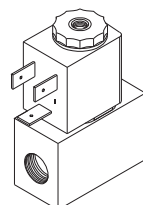
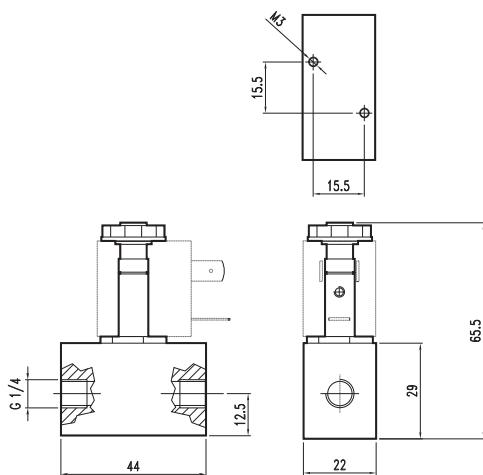
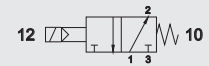
1/8 3/2 NC Normally closed
1/8 3/2 NF Normalement fermé
1/8 3/2 NC Normalmente chiuso

CODE
VD3222



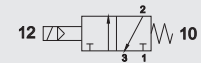
1/8 3/2 NO Normally open
1/8 3/2 NO Normalement ouvert
1/8 3/2 NA Normalmente aperto

CODE
VD3221



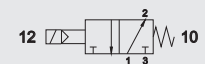
1/4 3/2 NC Normally closed
1/4 3/2 NF Normalement fermé
1/4 3/2 NC Normalmente chiuso

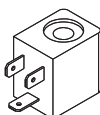
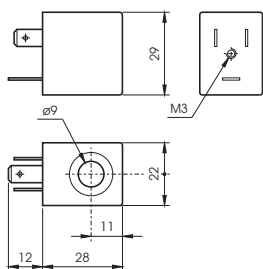
CODE
VD3322



1/4 3/2 NO Normally open
1/4 3/2 NO Normalement ouvert
1/4 3/2 NA Normalmente aperto

CODE
VD3321



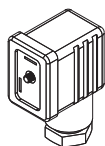
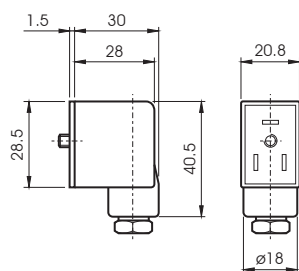


COILS
BOBINE
 BOBINE

CODE	POWER / ABSORPTION / ASSORBIMENTO		
	Tension Tensione Tensione	Rated Résistance a regime	Inrush De sortie di spunto
BO4011012	12 VDC	3W	
BO4011024	24 VDC	3W	
BO4012024	24 VAC	5VA	7,5VA
BO4012110	110 VAC	5VA	7,5VA
BO4012220	220 VAC	5VA	7,5VA

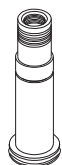
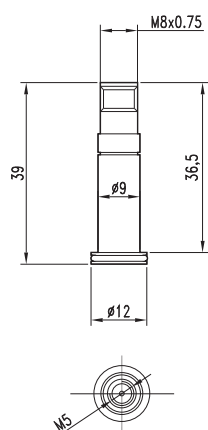
TECHNICAL SPECIFICATIONS
CARACTERISTIQUES TECHNIQUES
 CARATTERISTICHE TECNICHE

Tension tolerance / Tolérance / Tolleranza di tensione	+10%
Protection with connector / Protection avec connecteur / Protezione con connettore	IP65
Max working temperature / Température max d'utilisation / Temperatura max di esercizio	+ 50°C
Duty cycle / Temps d'enclenchement / Inserimento	ED 100%



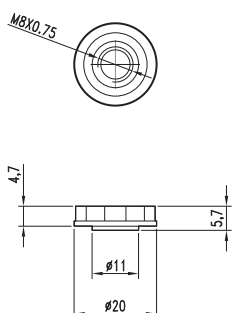
CONNECTORS
CONNECTEUR
 CONNETTORI

CODE	DES.
AR40696	STANDARD
VX0014	LED 24V
VX0015	LED 110V
VX0016	LED 220V
VX0017	LED+VDR 24V
VX0018	LED+VDR 110V
VX0019	LED+VDR 220V



SOLENOID PILOT
ELECTROPILOTE
 ELETTROPILOTA

CODE
 EP43603



NUT
ECROU
 DADO

CODE
 DA42937